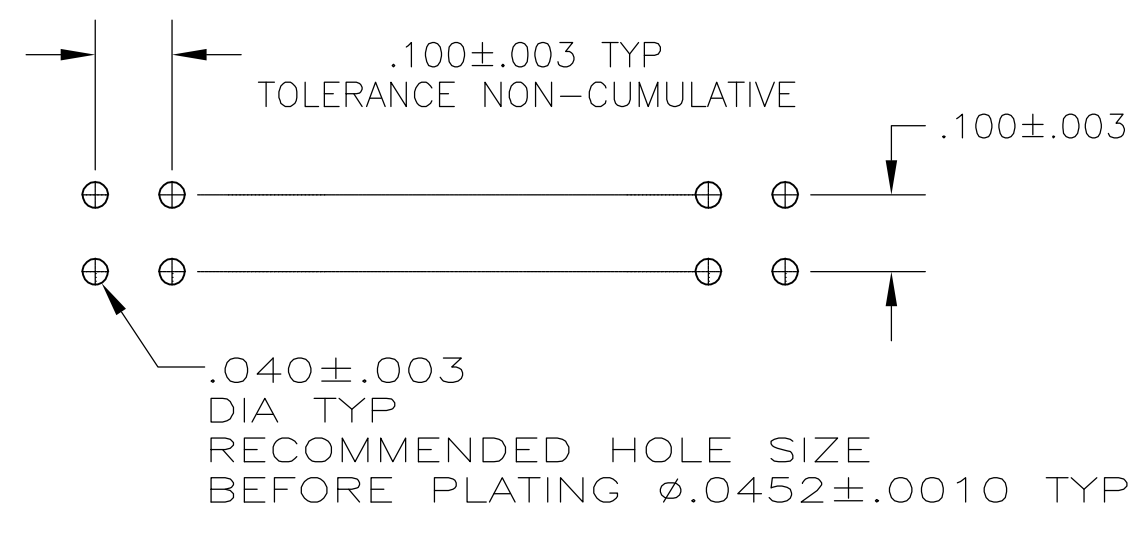


- 1 THE NOTED DIMENSIONS APPLY AT THE INTERSECTION OF THE POST AND THE HOUSING
- 2 FOR ACTIVE POSITION SIZES 4 AND ABOVE, POSTS WILL BE SELECTIVELY SWAGED TO PROVIDE CONNECTOR RETENTION TO THE PC BOARD UNTIL SOLDERED. FOR POSITION SIZE 2, POSTS WILL BE KINKED.(SEE TABLE FOR RETENTION FEATURE LOCATION)
- 3 BREAKAWAY NOTCH ANGLE CAN BE ORIENTED TO THE RIGHT (AS SHOWN) OR TO THE LEFT
- 4 .000100-.000200 MATTE TIN-LEAD OVER .000050 NICKEL, ON ENTIRE POST.
- 5 .000100-.000200 BRIGHT TIN OVER .000050 NICKEL, ON ENTIRE POST.
- 6 .000100-.000200 MATTE TIN OVER .000050 NICKEL, ON ENTIRE POST.
- 7 HIGH TEMPERATURE CONFIGURATION.



RECOMMENDED HOLE LAYOUT

△	△	1,2,39,40	1,2,39,40	3.984	3.900	39	80	7-104355-0
△	△	1,2,29,30	1,2,29,30	2.984	2.900	29	60	6-104355-9
△	△	1,2,24,25	1,2,24,25	2.484	2.400	24	50	6-104355-8
△	△	1,2,19,20	1,2,19,20	1.984	1.900	19	40	6-104355-7
△	△	1,2,16,17	1,2,16,17	1.684	1.600	16	34	6-104355-6
△	△	1,2,14,15	1,2,14,15	1.484	1.400	14	30	6-104355-5
△	△	1,2,13,14	1,2,13,14	1.384	1.300	13	28	6-104355-4
△	△	1,2,12,13	1,2,12,13	1.284	1.200	12	26	6-104355-3
△	△	1,2,11,12	1,2,11,12	1.184	1.100	11	24	6-104355-2
△	△	1,2,10,11	1,2,10,11	1.084	1.000	10	22	6-104355-1
△	△	1,2,9,10	1,2,9,10	.984	.900	9	20	6-104355-0
△	△	1,2,8,9	1,2,8,9	.884	.800	8	18	5-104355-9
△	△	1,2,7,8	1,2,7,8	.784	.700	7	16	5-104355-8
△	△	1,2,6,7	1,2,6,7	.684	.600	6	14	5-104355-7
△	△	1,2,5,6	1,2,5,6	.584	.500	5	12	5-104355-6
△	△	1,2,4,5	1,2,4,5	.484	.400	4	10	5-104355-5
△	△	1,2,3,4	1,2,3,4	.384	.300	3	8	5-104355-4
△	△	1,2,3	1,2,3	.284	.200	2	6	5-104355-3
△	△	1,2	1,2	.184	.100	1	4	5-104355-2
△	△	1,2,39,40	1,2,39,40	3.984	3.900	39	80	2-104355-0
△	△	1,2,29,30	1,2,29,30	2.984	2.900	29	60	1-104355-9
△	△	1,2,24,25	1,2,24,25	2.484	2.400	24	50	1-104355-8
△	△	1,2,19,20	1,2,19,20	1.984	1.900	19	40	1-104355-7
△	△	1,2,16,17	1,2,16,17	1.684	1.600	16	34	1-104355-6
△	△	1,2,14,15	1,2,14,15	1.484	1.400	14	30	1-104355-5
△	△	1,2,13,14	1,2,13,14	1.384	1.300	13	28	1-104355-4
△	△	1,2,12,13	1,2,12,13	1.284	1.200	12	26	1-104355-3
△	△	1,2,11,12	1,2,11,12	1.184	1.100	11	24	1-104355-2
△	△	1,2,10,11	1,2,10,11	1.084	1.000	10	22	1-104355-1
△	△	1,2,9,10	1,2,9,10	.984	.900	9	20	1-104355-0
△	△	1,2,8,9	1,2,8,9	.884	.800	8	18	104355-9
△	△	1,2,7,8	1,2,7,8	.784	.700	7	16	104355-8
△	△	1,2,6,7	1,2,6,7	.684	.600	6	14	104355-7
△	△	1,2,5,6	1,2,5,6	.584	.500	5	12	104355-6
△	△	1,2,4,5	1,2,4,5	.484	.400	4	10	104355-5
△	△	1,2,3,4	1,2,3,4	.384	.300	3	8	104355-4
△	△	1,2,3	1,2,3	.284	.200	2	6	104355-3
△	△	1,2	1,2	.184	.100	1	4	104355-2
△	△	1	1	.084	-	-	2	104355-1
REMARKS	PLATING	ROW N	ROW M	C	B	A	NO OF POSN	ASSEMBLY PART NUMBER
		HOLD-DOWN POST CONFIG LOCATION						

OBSOLETE

THIS DRAWING IS A CONTROLLED DOCUMENT.

DIMENSIONS: INCHES	TOLERANCES UNLESS OTHERWISE SPECIFIED:	DWG: M PASTAL 04FEB88	CHK: R FEIDT 09FEB88	APPR: R FLICKER 09FEB88	NAME: R FLICKER	PRODUCT SPEC: --	APPLICATION SPEC: --	SIZE: A1	CAGE CODE: 00779	DRAWING NO: 104355	RESTRICTED TO: --
0 PLC ± -	1 PLC ± -	2 PLC ± -	3 PLC ± .005	4 PLC ± -	ANGLES ± -	FINISH: SEE TABLE	WEIGHT: -	SCALE: 4:1	SHEET: 1 OF 1	REV: J	

tyco Electronics Tyco Electronics Corporation Harrisburg, Pa 17105-3608

HEADER ASSEMBLY, MOD II, BREAKAWAY, RIGHT ANGLE, DOUBLE ROW, .100X.100

CUSTOMER DRAWING